



Product Features

- 65W DALI-2 DT8 Constant current LED Driver
- Inbuilt Strain relieve
- Dali Dimming – 0.01% to 100%
- O/P Voltage range 6 – 58Vdc, O/P Current 500 – 1500mA
- Supports CLO & Corridor function
- Compact form factor L-124 x W-79 x H-30mm

Applications (Suitable for Indoor use only)

- Indoor Lighting (Downlights, Spotlights)
- Office Lighting (Workplace, Conference Hall)

NFC Features

- Set O/P Current In step of 0.1mA
- Set Device Address, Set Scenes, Set Group
- Set Power on level, System failure level
- Set Fade time, Fade rate
- Dimming curve selection (Linear / Logarithmic)
- Copy All setting from once driver to another

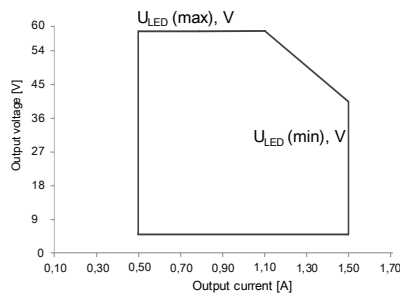
Mood / Decorative Lighting

Electrical Specification

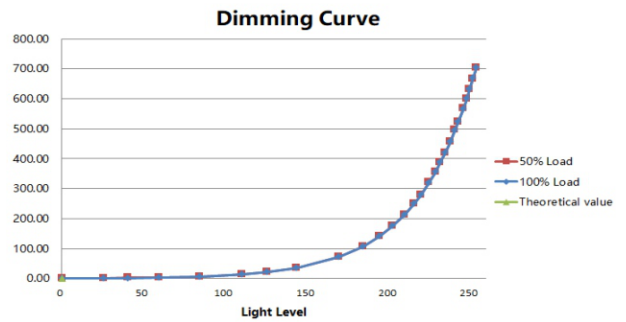
Output	Output Voltage range	6Vdc – 58Vdc
	Output current	500 – 1400mA via NFC setting (with 0.1mA step)
	Output Power	65W Max
	No of Channels	2 Channel
	Input	Rated Voltage (V)
Operating Voltage Range (V)		180-264Vac
Operating Frequency (Hz)		50 / 60
Input Current (Typical)		0.35A @ 230VAC
System Power Consumption (Typical)		72W
Power factor		> 0.95
A-TDH (at Full load 230vac)		< 10%
Stand by Power		< 0.5W
Inbuilt Surge Protection (kV)		2.0KV
Electrical Insulation Class		Suitable for Class II
Control	Inrush Current (Typical)	Max. 9.68A at 230VAC; 70µs duration
	Dimming Interface	DALI DT8 (DALI consumption < 2mA)
	Dimming Range	0.01% - 100% @ Max current
	Dimming curve	Linear/ Logarithmic optional
Protections	Short Circuit	Yes, Auto recovery
	Open circuit	Yes, Auto recovery
	Output Overload	Yes, Auto recovery
	Over Temperature	Yes, Auto recovery

Environment	Ta	-10°C ~ +45°C
	Tc	85°C (Ta="45°C")
	Humidity	10% ~ 95% RH non-condensing
	Storage Temp. & Humidity	-40°C ~ +80°C, 10% ~ 95% RH
Safety & EMC	Safety Standards	EN61347-1, EN61347-2-13
	Withstand Voltage	I/P-O/P: 3.75KVAC
	Isolation Resistance	I/P-O/P: 100M Ohms / 500VDC / 25°C / 70% RH
	EMC Emission	EN55015, EN61000-3-2, EN61000-3-3
	EMC Immunity	EN61547, EN61000-4-2,3,4,5,6,8,11
	DALI Parts	101, 102, 207, 209
Other	Life	50,000 Hours @ Tc 85°C
	Weight	0.27 Kg
	IP Rating	IP20

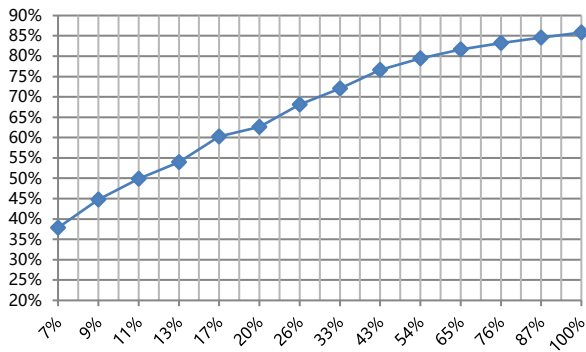
Voltage and current operating window



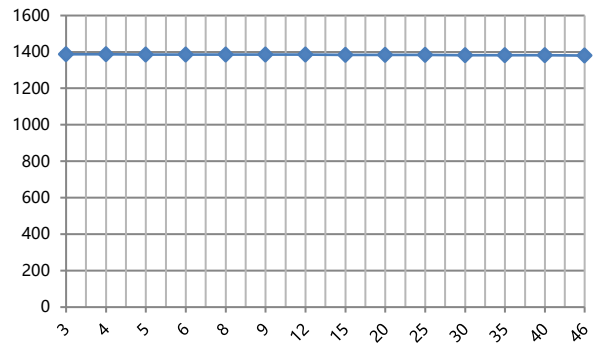
Dimming Curve



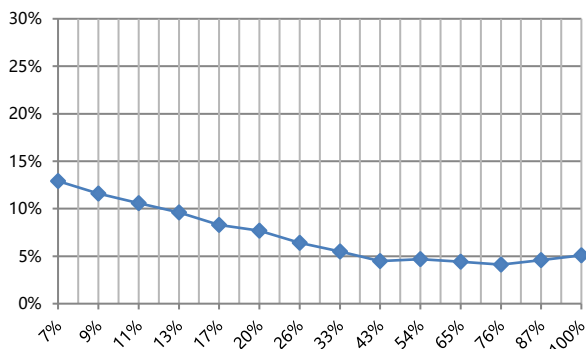
Typical Efficiency Vs Load %



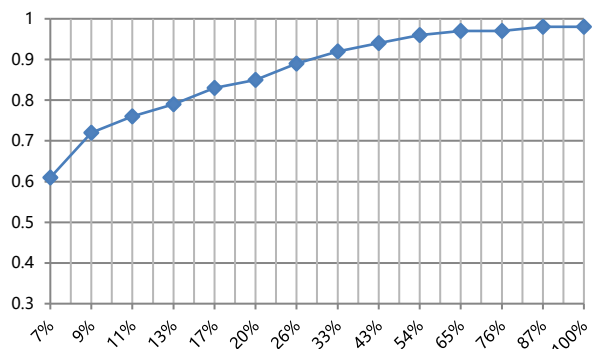
Typical Load voltage V/S Current



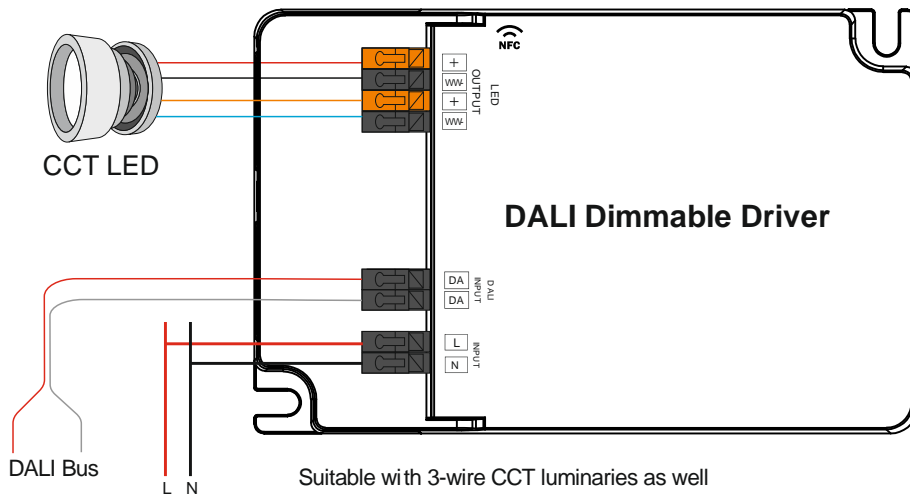
A-THD Vs Load %



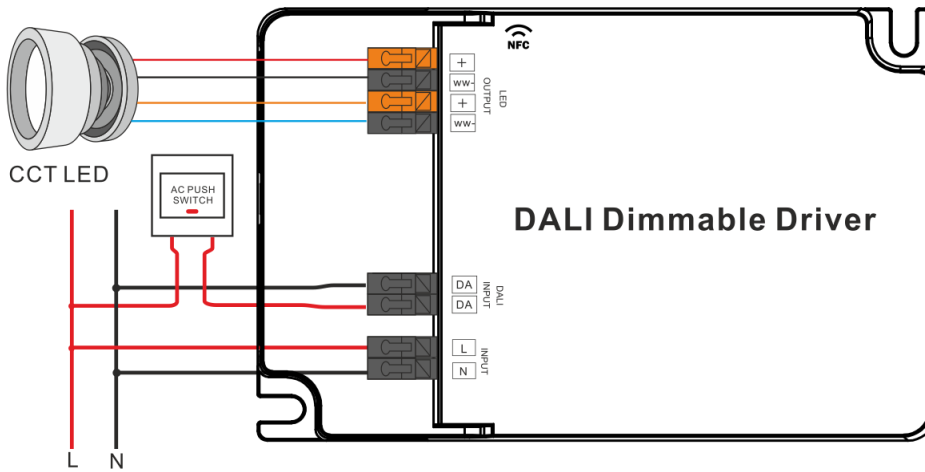
Power factor vs Load



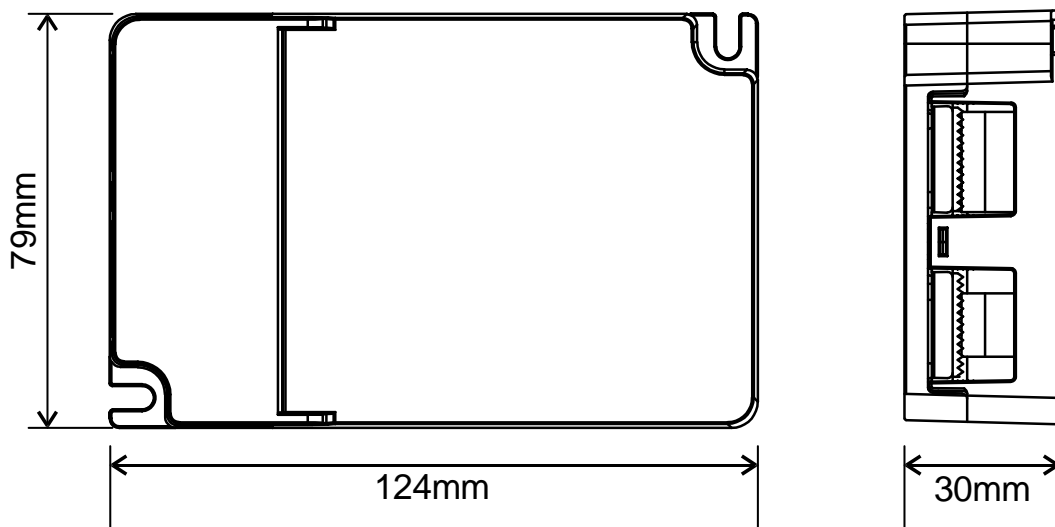
DALI Wiring Diagram



Wiring Diagram for Push Dim

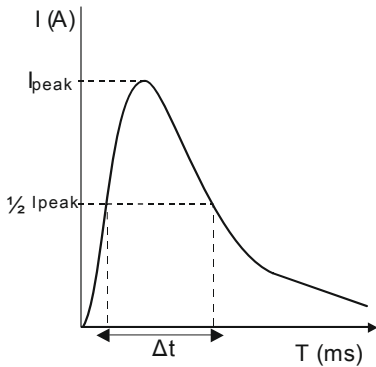


Mechanical dimensions



MCB Load Quantity

Module Number	I _{peak}	Twidth	Max.quantity of LED Driver per MCB														
			B10	B13	B16	B20	B25	C10	C13	C16	C20	C25	D10	D13	D16	D20	D25
SRP-2305N-65CC500-1500	9.68A	70μs	15	20	24	30	38	20	26	32	40	50	22	29	36	45	57
SRP-2309N-65CCT500-1500	9.68A	70μs	15	20	24	30	38	20	26	32	40	50	22	29	36	45	57



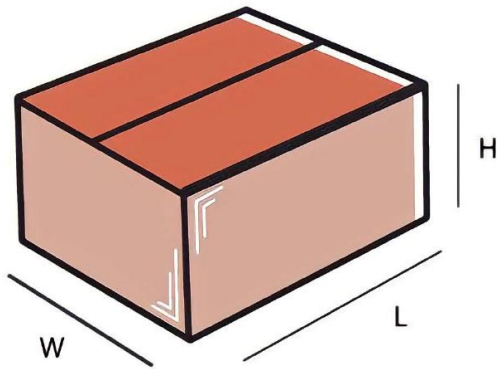
Note:

- Those MCB parameters are based on ABB S200 series circuit breakers.
- For different brands and models of miniature circuit breakers, the quantity of drivers will have difference.
- Please do not exceed the above-mentioned quantity during on-site installation, and the specific load quantity shall be subject to on-site installation.
- When the installation environment temperature of MCBs exceeds 30°C or when multiple MCBs are installed side by side, the number of mounted drives will be reduced, which requires recalculation.
- Type C MCB’s are strongly recommended to use with LED lighting.

NFC Programing steps

FOR NFC PROGRAMING REFER “NFC PROGRAMING APPLICATION NOTE”

Standard Packaging



OUTER DIMENSIONS		
L	W	H
380 mm	270 mm	280 mm
Net Weight	Gross Weight	QUANTITY
13.5 Kg	14 Kg	50 nos